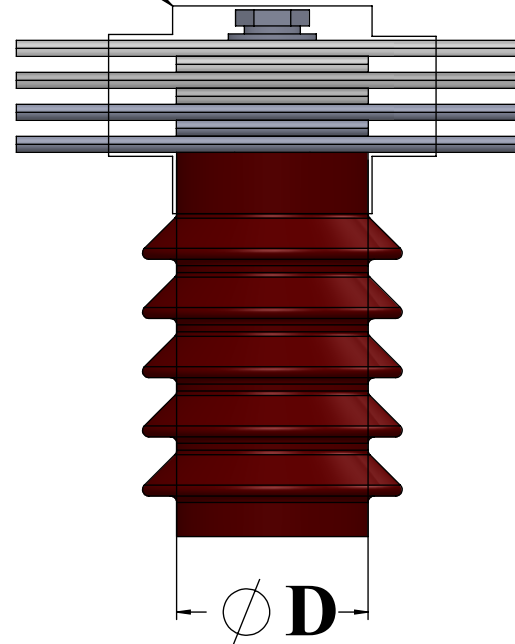


BOOT OUTLINE



NOTE:

NOMINAL ½" ALLOWANCE FOR BOLT HEAD POCKET
NOMINAL 1" ALLOWANCE FOR NUT & THROUGH BOLT POCKET
NOMINAL 1" OUTLET LENGTH