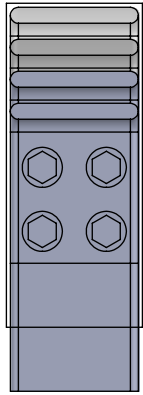
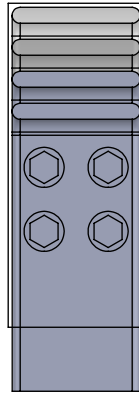


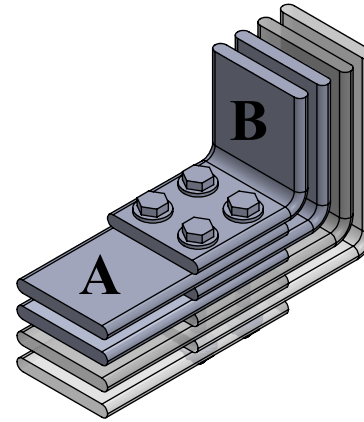
TYPE #1



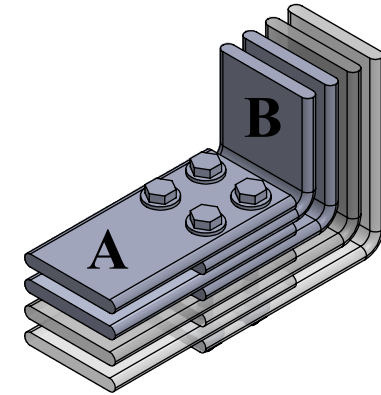
TYPE #2



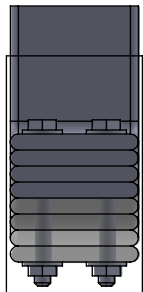
TYPE #1



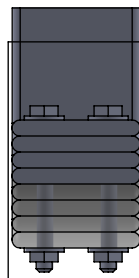
TYPE #2



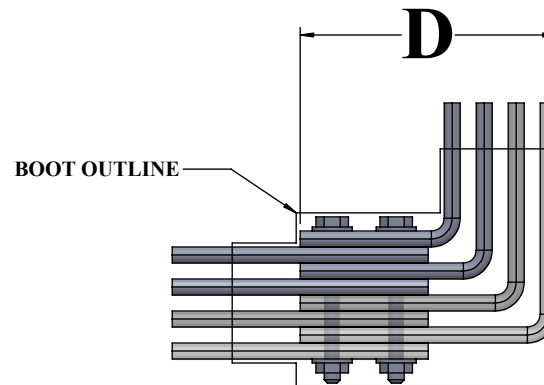
TYPE #1



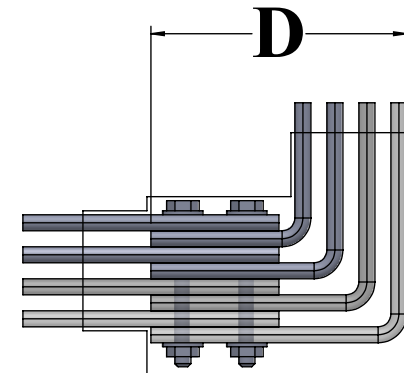
TYPE #2



TYPE #1



TYPE #2



NOTE:

NOMINAL 1/2" ALLOWANCE FOR BOLT HEAD POCKET

NOMINAL 1" ALLOWANCE FOR NUT & THROUGH BOLT POCKET

NOMINAL 1" OUTLET LENGTH